

# Hydraulic Components

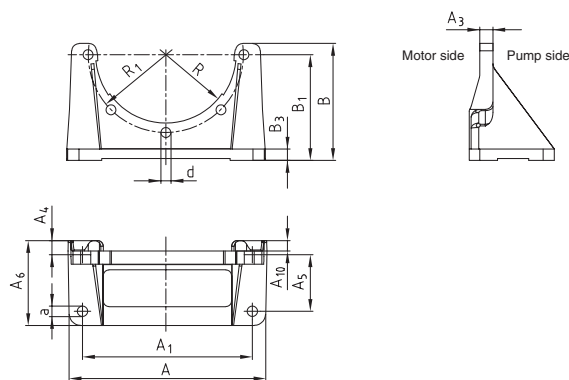
## Accessories for bellhousings

### Foot flange according to VDMA 24561

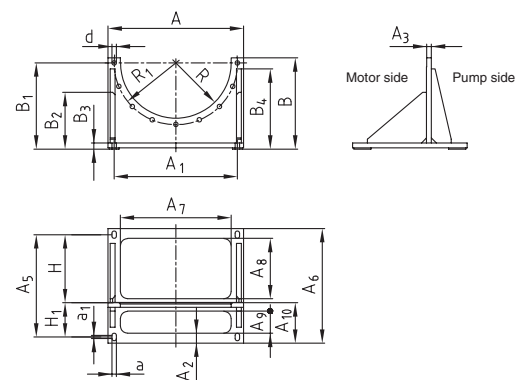


- Material: PTFL; PTFS = aluminium  
from PTFS 550 = steel
- The designing of PTFL by means of the finite element method permits very high loading capacity with minimum weight (DBGM)
- PTFL as a compact, space-saving design in combination with KTR bellhousing and damping ring
- Storage of only one electric motor type both for horizontal and vertical construction
- PTFS preferably for mobile applications
- All types available from stock - other sizes on request
- Notice our mounting instructions

Foot flange PTFL\*



Foot flange PTFS\*



\* according to VDMA guideline 24561 part 1

### Foot flange design PTFL (DBGM)

Foot flange Size	For bellhousing Size	Dimensions [mm]													
		A	A <sub>1</sub>	A <sub>3</sub>	A <sub>6</sub>	A <sub>4</sub>	A <sub>5</sub>	A <sub>10</sub>	B	B <sub>1</sub>	B <sub>3</sub>	R	R <sub>1</sub>	d	a
PTFL 160	71	160	140	12	80	15	50	8	110	100	10	55	65	9	9
PTFL 200	90S/L	210	180	14	90	15	60	11	124	112	12	72,5	82,5	11	11
PTFL 250	100L/112M	250	220	16	97	21	60	–	145	132	15	95	107,5	13	13
PTFL 300	132S/M	290	260	18	116	20	80	–	175	160	18	117	132,5	13	13
PTFL 350	160M/L 180M/L	340	300	20	150	20	110	–	195	180	22	130	150	18	18

### Flange design PTFS

Foot flange Size	For bellhousing Size	Dimensions [mm]																					
		A	A <sub>1</sub>	A <sub>2</sub>	A <sub>3</sub>	A <sub>5</sub>	A <sub>6</sub>	A <sub>7</sub>	A <sub>8</sub>	A <sub>9</sub>	A <sub>10</sub>	B	B <sub>1</sub>	B <sub>2</sub>	B <sub>3</sub>	B <sub>4</sub>	R	R <sub>1</sub>	a	a <sub>1</sub>	d	H	H <sub>1</sub>
PTFS 250	250	250	215	–	18	185	230	190	–	–	82	165	155	150	15	120	95	107,5	14	10	14	125	60
PTFS 300	300	300	265	–	20	225	270	240	–	–	92	200	185	183	18	148	117	132,5	14	10	14	150	75
PTFS 350	350	350	300	–	25	265	305	260	160	–	110	252	235	228	18	188	130	150	18	12	18	175	90
PTFS 400	400	400	350	–	20	300	350	300	185	–	125	277	260	240	20	193	150	175	18	12	18	200	100
PTFS 450	450	450	400	–	25	335	385	350	207	–	138	312	295	290	20	232	175	200	18	12	18	225	110
PTFS 550	550	550	500	40	20	415	465	450	245	90	165	370	350	325	25	230	225	250	18	12	18	275	140
PTFS 660	660	660	600	50	25	495	555	540	292	102	195	405	380	355	30	250	275	300	22	15	22	330	165

PTFS 800 on request.

**In order to obtain the full loading capacity of the foot flanges all existing fastening bores have to be screwed up with the bellhousing!**